

**Outside Temperature Sensor**

Active sensor (0...10 V) for measuring temperature in outdoor areas, in cold stores, greenhouses, production plants and warehouses. NEMA 4X / IP65 rated enclosure.


**Type Overview**

Type	Output Signal Active Temperature	Additional Features
22UT-12	DC 0...5 V, DC 0...10 V	External sensor

**Technical Data**

<b>Electrical data</b>	Power Supply DC	15...24 V, ±10%, 0.5 W			
	Power Supply AC	24 V, ±10%, 0.8 VA			
	Electrical connection	Removable spring loaded terminal block max. 2.5 mm <sup>2</sup>			
	Cable entry	Cable gland PG11 Ø6...10 mm, with strain relief Ø6...8 mm			
<b>Functional data</b>	Multirange	8 measuring ranges selectable			
	Output signal active note	Output DC 0...5/10 V with Jumper adjustable Voltage output: min. 5 kΩ load			
	Media	Air			
<b>Measuring data</b>	Measured values	Temperature			
	Measuring range temperature	Active sensor: range selectable Attention: max. measuring temperature is restricted by max. medium temperature (see Safety data)			
		Setting	range [°C]	range [°F]	Factory setting
		S0	-50...50 °C	-30...130 °F	✓
		S1	-10...120 °C	40...140 °F	
		S2	0...50 °C	40...140 °F	
		S3	0...250 °C	30...480 °F	
		S4	-15...35 °C	0...100 °F	
		S5	0...100 °C	40...240 °F	
		S6	-20...80 °C	40...90 °F	
		S7	0...160 °C	0...150 °F	
	Accuracy temperature active	±0.5 °C @ 21 °C [±0.9 °F @ 70 °F]			
<b>Materials</b>	Cable gland	PA6, white			
	Mounting plate	Lexan, silvergray RAL7001			
	Housing	Cover: Lexan, white Bottom: Lexan, white Seal: 0467 NBR70, black			

<b>Safety data</b>	Ambient humidity	85% r.H., non-condensing
	Ambient temperature	-35...50 °C [-30...120 °F]
	Medium temperature	-35...50 °C [-30...120 °F]
	Housing surface temperature	Max. 70 °C [160 °F]
	Protection class IEC/EN	III Safety Extra-Low Voltage (SELV)
	Protection class UL	UL Class 2 Supply
	EU Conformity	CE Marking
	Certification IEC/EN	IEC/EN 60730-1 and IEC/EN 60730-2-9
	Certification UL	cULus acc. to UL60730-1A/-2-9, CAN/CSA E60730-1:02/-2-9, CE acc. to 2004/108/EC and 2006/95/EC, NEMA 4X, IP65, UL Enclosure Type 4X
	Degree of protection IEC/EN	IP65
	Degree of protection NEMA/UL	NEMA 4X
	Quality Standard	ISO 9001
	Weight	0.11 lbs

**Safety notes**


The installation and assembly of electrical equipment should only be performed by authorized personnel.

This device has been designed for use in stationary heating, ventilation and air conditioning systems and must not be used outside the specified field of application. Unauthorised modifications are prohibited. The product must not be used in relation with any equipment that in case of a failure may threaten human, animals or assets.

Ensure all power is disconnected before installing. Do not connect to live/operating equipment.

Please comply with

- Local laws, health & safety regulations, technical standards and regulations
- Condition of the device at the time of installation, to ensure safe installation
- This data sheet and installation manual

**Remarks**

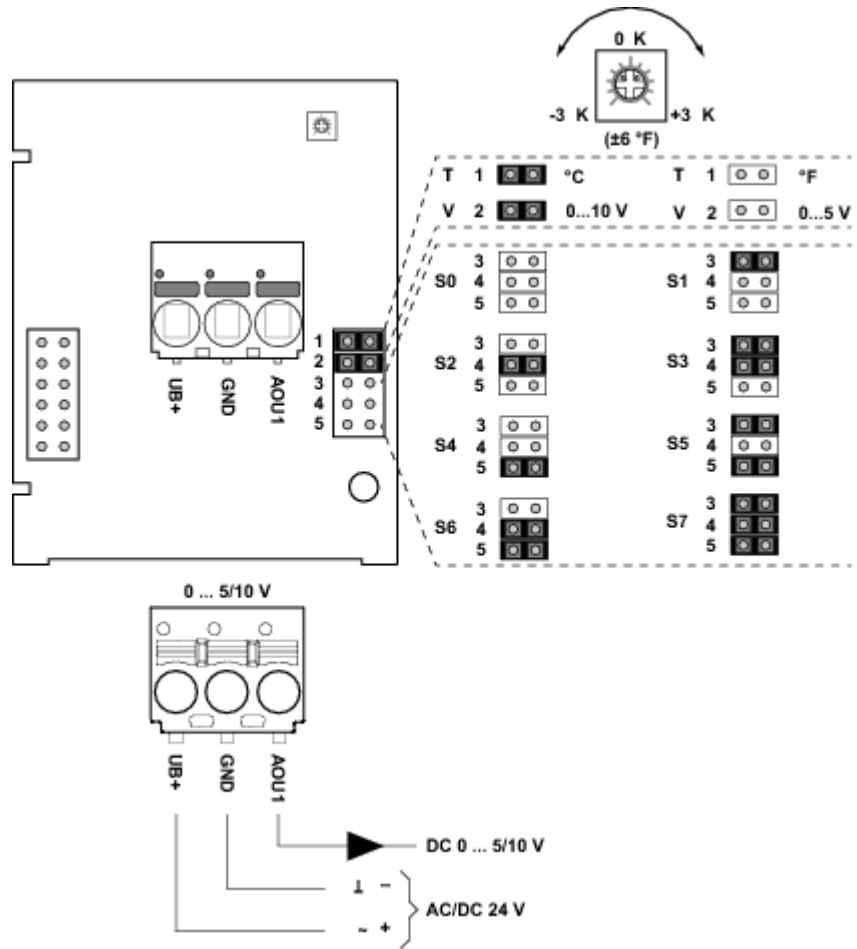
**General remarks concerning sensors** When using lengthy connection wires (depending on the cross section used) the measuring result might be falsified due to a voltage drop at the common GND-wire (caused by the voltage current and the line resistance). In this case, 2 GND-wires must be wired to the sensor - one for supply voltage and one for the measuring current.

Sensing devices with a transducer should always be operated in the middle of the measuring range to avoid deviations at the measuring end points. The ambient temperature of the transducer electronics should be kept constant. The transducers must be operated at a constant supply voltage ( $\pm 0.2$  V). When switching the supply voltage on/off, onsite power surges must be avoided.

**Accessories**

<b>Scope of delivery</b>	Mounting plate Dowel Screws
--------------------------	-----------------------------------

Wiring diagram



The adjustment of the measuring ranges is made by changing the bonding jumpers. The output value in the new measuring range is available after 2 seconds.

Setting	range [°C]	range [°F]	Factory setting
S0	-50...50 °C	-30...130 °F	✓
S1	-10...120 °C	40...140 °F	
S2	0...50 °C	40...140 °F	
S3	0...250 °C	30...480 °F	
S4	-15...35 °C	0...100 °F	
S5	0...100 °C	40...240 °F	
S6	-20...80 °C	40...90 °F	
S7	0...160 °C	0...150 °F	

Dimensions

